



**MITSUBISHI
ELECTRIC**

Wall Mounted Controller

PAR-40MAA
PRODUCT FLYER





MA Wall Mounted Controller

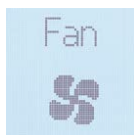
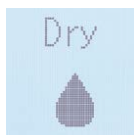
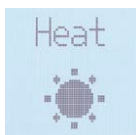
The Mitsubishi Electric PAR-40MAA is a user-friendly remote controller with easy operation and alternate display to suit environment. This seven day wired controller comes with a backlit LCD screen, which allows you to program up to eight separate start/stop patterns per day.

Full Dot Liquid-crystal Display Adopted

Easier to read thanks to use of a full dot liquid-crystal display with backlight, and easier to use owing to adopting a menu format that has reduced the number of operating buttons.

Display Example (Operation Mode)

Full Dot LCD



PAR-40MAA

Features

- » Alternate Background Display
- » Full Dot Liquid-crystal Display
- » Energy Efficiency Schedule
- » Night Setback
- » Temperature Range Restriction
- » Auto-Return
- » Auto-Off Timer
- » Weekly Timer
- » Easy Maintenance Function

Alternate Background Display

The screen background colour can be set to black to suit the atmosphere of the living environment.



Energy Efficiency Schedule

Capacity control of outdoor unit

The amount of power consumed in each time period is managed so that the demand value is not exceeded. The demand control function can be set to start and finish in 5-minute increments. Additionally, the level can be adjusted to 0, 50, 60, 70, 80 or 90% of maximum capacity, and up to 4 patterns can be set per day. Air conditioning operation is automatically controlled to ensure that electricity in excess of the contracted volume is not consumed.

Setting pattern example

Start time	Finish time	Adjusted capacity level
8:15	12:00	80%
12:00	13:00	50%
13:00	17:00	90%
17:00	21:00	50%

Operation Lock

Fixed temperature setting promotes energy efficiency

In addition to operation start/stop, the operation mode, temperature setting and airflow direction can be locked. Unwanted adjustment of temperature settings is prevented and an appropriate temperature is constantly maintained, leading to energy efficiency. This feature is also useful in preventing erroneous operation or tampering.

Recommended for:

Offices, Schools, Public Halls, Hospitals, Computer Server Facilities

Auto-Off Timer

Turns cooling/heating off automatically after preset time elapses

When using Auto-Off Timer, even if one forgets to turn off the unit, operation stops automatically after the preset time elapses, thereby preventing wasteful operation. Auto-Off Timer can be set in 10-minute increments, in a range between 30 minutes and 4 hours, preventing the air conditioner from being left on.

Recommended for:

Meeting Rooms and Changing Rooms

Weekly Timer

Set up to 8 patterns per day including temperature control

Weekly schedule timer can save two different settings which can be easily switched according to different seasons. In addition, it offers eight different pattern setting per day. (On, Off and temperature setting).

*Weekly Timer cannot be used when on/off Timer is in use.

Night Setback

Keep desired room temperatures automatically

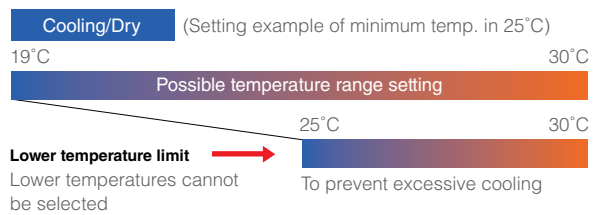
This function monitors the room temperature and automatically activates the heating mode when the temperature drops below the preset minimal temperature setting. It has the same function for cooling, automatically activating the cooling mode when the temperature rises above the preset maximum temperature setting.

Temperature Range Restriction

Prevents Overcooling/Overheating

Using a temperature that is 1°C lower/higher for cooling/heating results in a 10% reduction in power consumption.* Temperature Range Restriction limits the maximum and minimum temperature settings, contributing to the prevention of overcooling/overheating.

*Based on Mitsubishi Electric laboratory tests in controlled conditions



Recommended for:
Offices and Restaurants

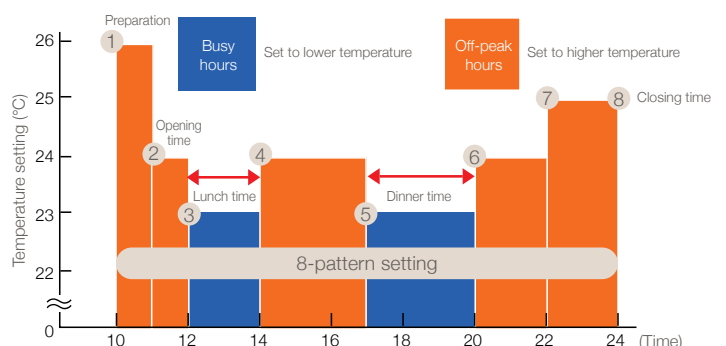
Auto-Return

Prevents wasteful operation by automatically returning to the preset temperature after specified operating time

After adjusting the temperature for initial cooling on a hot summer day or heating in winter, it is easy to forget to return the temperature setting to its original value. The Auto-Return function automatically resets the temperature back to the original setting after a specified period of time, thereby preventing overcooling/overheating. The Auto-Return activation time can be set in 10-minute units, in a range between 30 and 120 minutes.

*Auto-Return cannot be used when Temperature Range Restrictions is in use.

Setting Example (Restaurant in summer time)



Necessary to change temperature settings for cooling/heating times.

*Joint research conducted by Mitsubishi Electric.

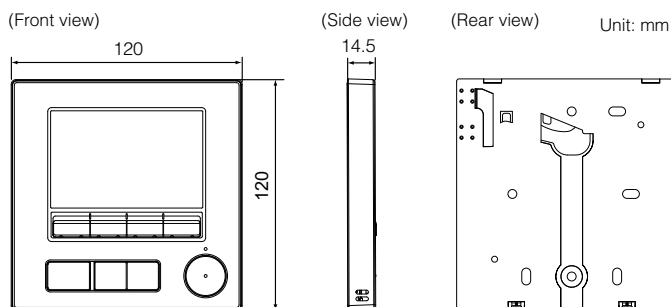
Functions

1. Operation/Display

O: Each group X: Not Available

Item	Description	Setting	Display
ON/OFF	Switches between ON and OFF.	O	O
Operation Mode Switching	Switches among Cool/Dry/Fan/Auto/Heat.	O	O
Temperature Setting	Changes the set temperature. *Set temperature range varies depending on the indoor unit model.	O	O
Fan Speed Setting *1	Changes fan direction.	O	O
Airflow Direction Setting *1	Changes airflow direction.	O	O
Louvre Setting	Switches between louvre ON/OFF.	O	O
Ventilation Equipment Control	Interlocked setting and interlocked operation setting with City Multi Lossnay units can be performed. The Stop/Low/High settings of the ventilation equipment can be controlled.	O	O
Auto-descending Panel *1	Raises and lowers the automatic elevating panel.	O	O
Main Display Mode Setting	The Main display can be displayed in two different modes: "Full" and "Basic".	O	O
Black & White Inversion	The colours of the display can be inverted, turning white background to black and black characters to white.	O	O
Clock *2	Date (year/month/day) and time (hour/minute) can be set. The set time as well as the day of the week will be displayed on the Main display. It is also possible to set not to display the time on the Main display. The clock can be displayed in 12-hour format (AM/PM before or after the time) and 24-hour format.	O	O
Daylight Saving Time	The start/end time for daylight saving time can be set. The daylight saving time function will be activated based on the setting contents.	O	O
Room Temperature Display	The room temperature display can be enabled or disabled.	X	O
Error Information *3	When an error occurs, an error code and the unit address appear. The air conditioning unit model, serial number and contact number can be set to appear when an error occurs. (The above information needs to be entered in advance.)	X	O
Filter Information	A filter sign will appear when it is time to clean the filter.	X	O
Remote Controller Information	The version of the remote controller can be checked.	X	O

External Dimensions



2. Schedule and Timer Settings

O: Each group X: Not Available

Item	Description	Setting	Display
Timer	ON/OFF Timer Turns ON and OFF daily at a set time. • Time can be set in 5-minute increments. • It is also possible to set the ON time only or the OFF time only. Auto-OFF timer • Turns off the unit after a certain period of operation. • Operation time can be set to a value from 30 to 240 minutes in 10-minute increments.	O	O
Weekly Timer	Weekly ON/OFF times and set temperatures can be set. • Time can be set in 5-minute increments. Up to 8 schedule patterns can be set per day of the week. • Not valid when the ON/OFF timer is set.	O	O
Netback Setback	The temperature range and the start/stop times can be set.	O	O

3. Restriction Settings

O: Each group X: Not Available

Item	Description	Setting	Display
Allows/Disallows Local Operation	The following operation can be prohibited by applying certain settings on the centralised controller: ON/OFF, operation mode, set temperature, filter sign reset, air direction and fan speed. • While an operation is prohibited, the operation icon lights up (only on the Main display in the "Full" mode).	X	O
Operation Lock	The following operations can be prohibited: "On/Off", "Mode", "Set temp.", "Menu", "Fan", "Louvre" or "Vane".	O	O
Temperature Range Restriction	The room temperature range for each operation mode can be restricted.	O	O
Auto Return	The units operate at the preset temperature after a designated period. (Time can be set to a value from 30 to 120 minutes in 10-minute increments.) *Note valid when the temperature setting range is restricted.	O	X
Password	Administrator password (required for schedule setting etc.) and Maintenance password (required for test run and function setting etc.) can be set.	O	X

4. Miscellaneous Items

O: Each group X: Not Available

Item	Description	Setting	Display
Language Selection	Select the display language from the following 14 languages. English, French, Spanish, German, Italian, Dutch, Portuguese, Greek, Russian, Turkish, Czech, Hungarian, Polish, Swedish.	O	O
Brightness Contrast	The brightness of the LCD can be adjusted. The contrast of the LCD can be adjusted.	O	O
Manual Vane Angle *1	Fixes the vane position for each air outlet.	O	X
Service *1	Contains Test Run, Function Setting, Request Code and Error History.	O	O
3D i-See Sensor *1	Settings for 3D i-See Sensor can be made.	O	O

*1 This function is active only for the units that support the function.

*2 The clock is accurate within 45 seconds per month (at the temperature of 25°C). The clock is backed up for 3 days.

*3 An error code may not appear depending on the error.



MitsubishiElectric.com.au

Printed July 2019

The specifications and information in this flyer are subject to change without notice. Colours depicted in this flyer may vary slightly. Images are for illustrational purposes only.

© Mitsubishi Electric Australia